



# Cyrus F

DC Powered Fixture Mount Dual Channel  
Dimming Motion & Light Sensor



## Product Overview

Cyrus F is a 12–24VDC powered multi-sensing device with low bay PIR motion detection and ambient light sensing. This industry's smallest formfactor device has two 0–10V output channels for controlling intensity and Correlated Color Temperature (CCT). This easy to install fixture mount device also supports UART interface.

Cyrus F is a part of Lumos Controls ecosystem supported by controllers, sensors, switches, modules, drivers, gateways, and analytical dashboards. The ecosystem is listed by the **Design Lights Consortium (DLC)**, qualifying it for energy conservation incentive programs and rebates by utility companies

## Specifications

### Electrical

Specifications	Value	Remarks
Input voltage	12–24VDC	Rated input voltage
Input current	30mA	@12VDC
	25mA	@24VDC

### Output Channel

Specifications	Value	Remarks
Number of channels	2	
Voltage range	0–10VDC	Tolerance: $\pm 0.2V$
Current	15mA	Source current per channel
Dimming range	0–100%	1000 steps resolution
Dimming curve	linear (default) / logarithmic	

## Features

- Low bay PIR Motion and ambient light sensing
- 0–10V dual channel class 2 dimming output for intensity and CCT control
- Compact form factor
- BLE 5.2 based non-flooding intelligent communication
- Zero downtime Over-the-Air(OTA) firmware updates
- Supports UART

### Bluetooth

Specifications	Value	Remarks
Frequency range	2402–2480MHz	
Max output power	8dBm	Conductive
Receive sensitivity	–95dBm	
Connection distance (device to device)	45m(147.6ft)	Vary depending on the installation environment

### Environmental

Specifications	Value	Remarks
Ambient temperature	–20 to 50°C (–4 to 122°F)	
Storage temperature	–20 to 70°C (–4 to 158°F)	
Case temperature	47.6°C (117.6°F)	
Relative humidity	85%	

## Mechanical

Specifications	Value	Remarks
Dimension	32X42.5mm (1.26X1.67in)	Diameter x Height
Net weight	14g(0.49oz)	
Flammability rating	UL 94 V-0	

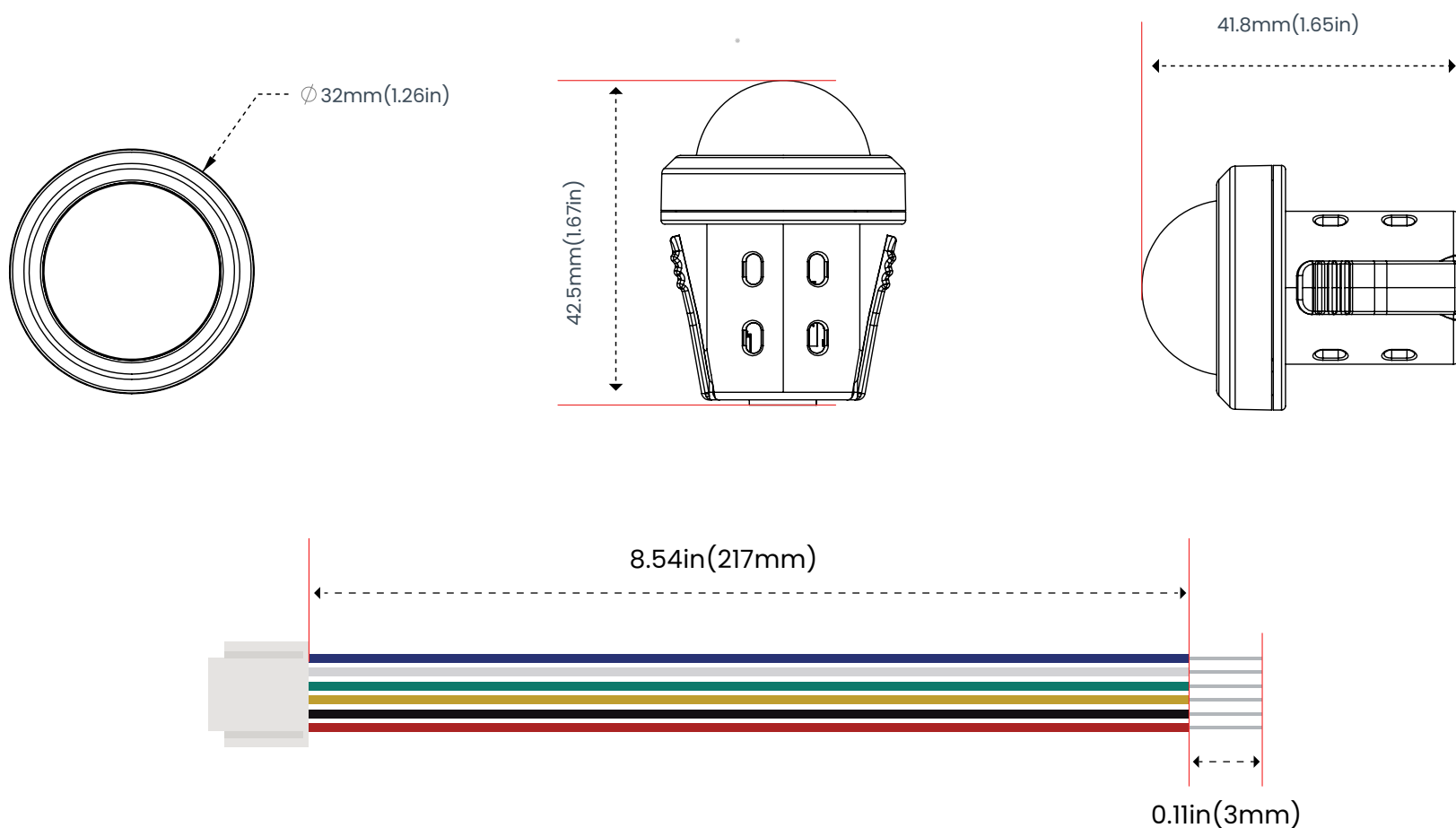
## Light Sensor

Specifications	Value	Remarks
Dynamic Illuminance range	0 to 2000lux	
Default range setting	19-512lux	User programmable
Illuminance accuracy	±10%	

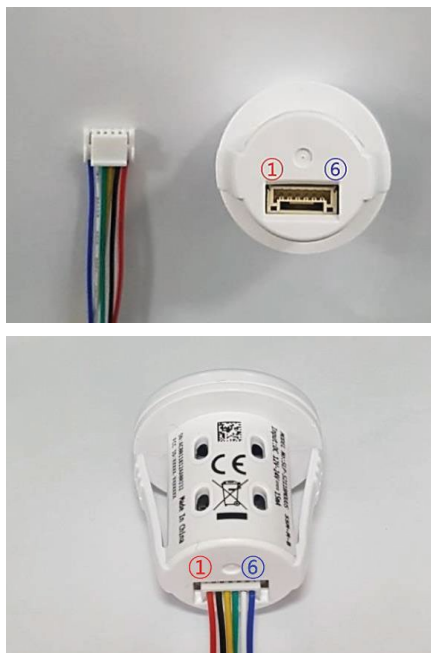
## PIR Sensor

Specifications	Value	Remarks
Mounting height	2.4 to 3m (7.8 to 9.8ft)	
Max detection range	10m(32.8ft)	Diameter, at 3m(9.8ft) mounting height

## Product Dimensions

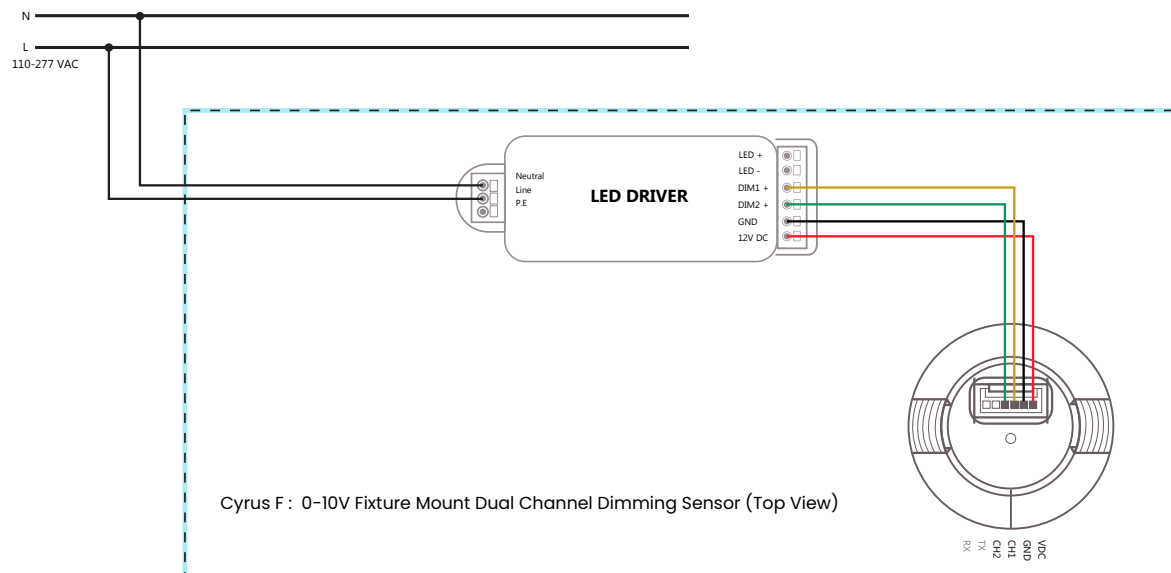


# Wiring



Pin	Symbol	Color	Description
1	VDC	Red	12-24VDC for sensor power
2	Ground	Black	GND
3	CH1+ 0-10V	Yellow	Intensity
4	CH2+ 0-10V	Green	CCT
5	Tx	White	UART communication
6	Rx	Blue	UART communication

Powering the Cyrus F via  
12VDC auxiliary output  
from a driver

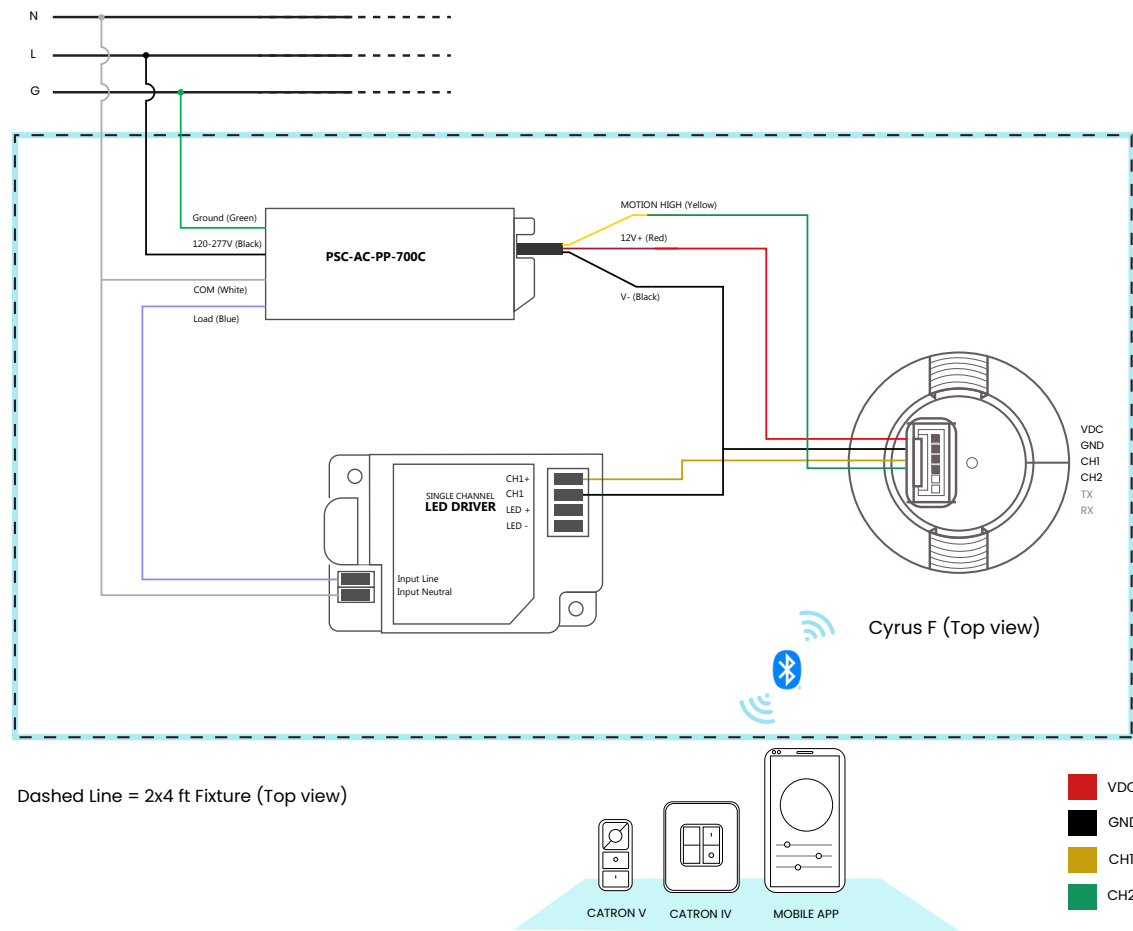


Dashed Line = 2x4 ft Fixture



## Powering the Cyrus F via powerpack

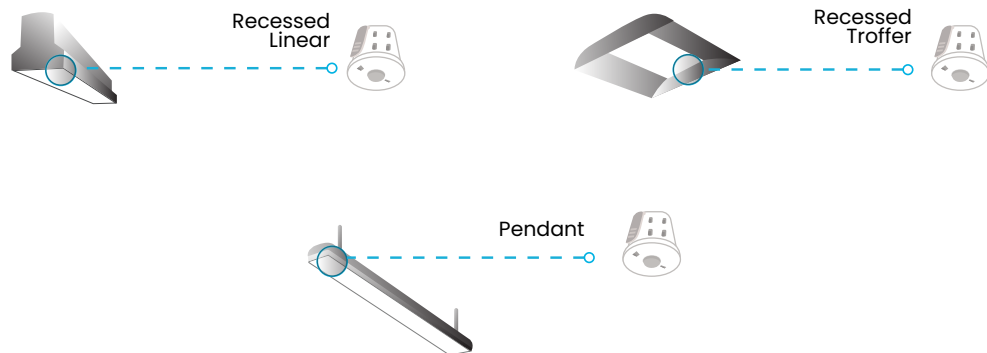
Set the output mode of the Cyrus F as 'Single Channel' in the mobile application.

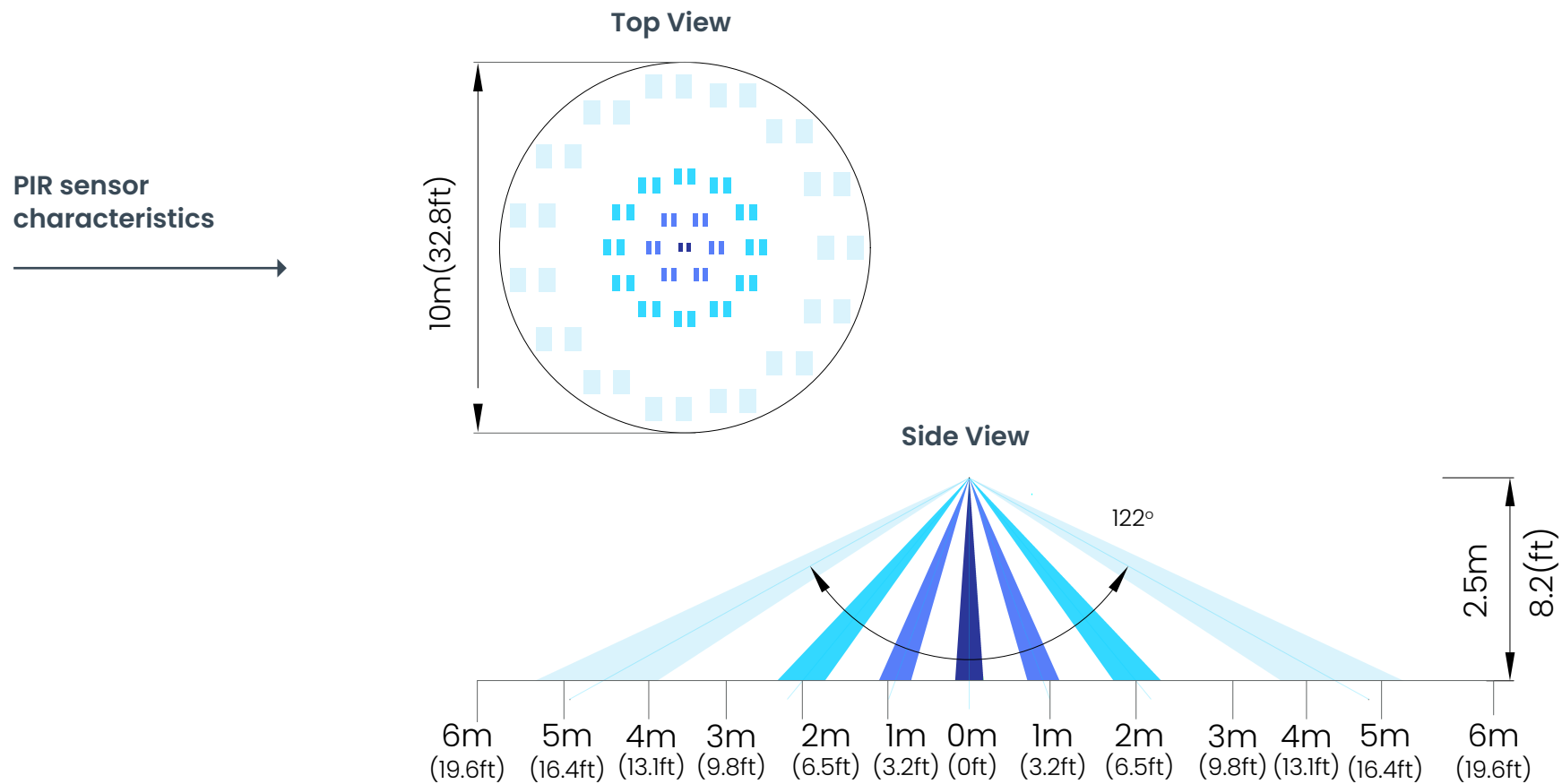


## Design options

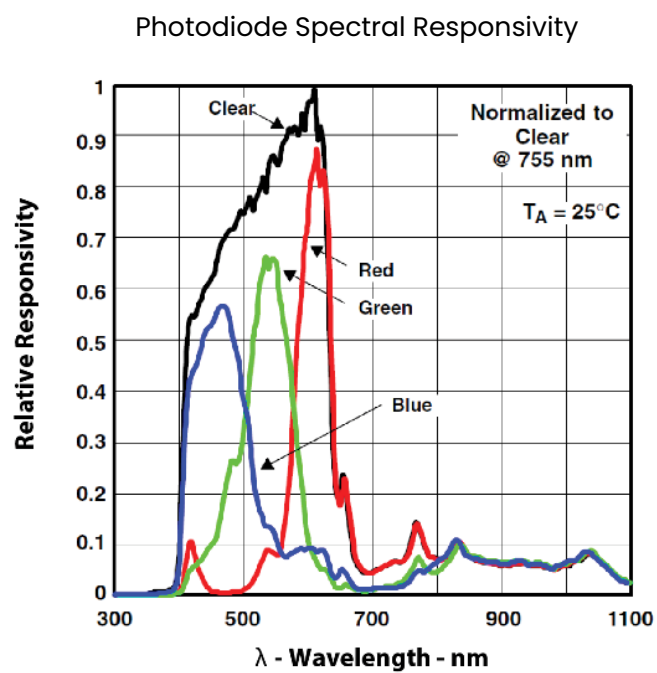
### Cyrus F : DC Powered Fixture Mount Dual Channel Dimming Motion & Light Sensor

In the lens or the extrusion

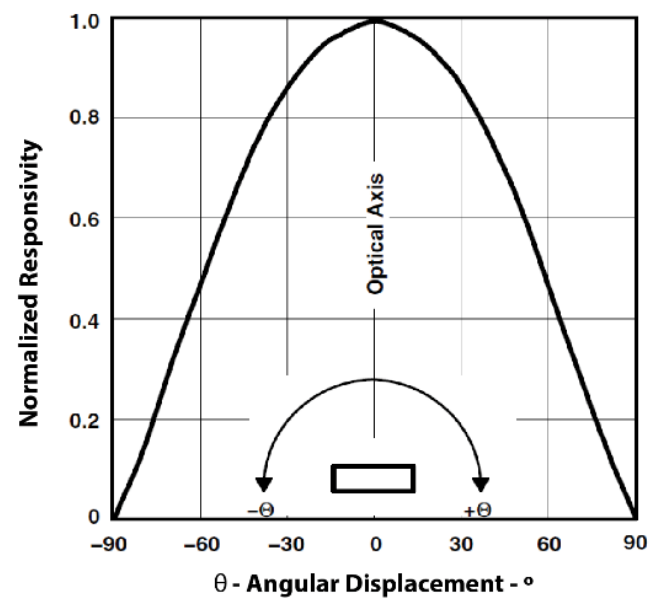




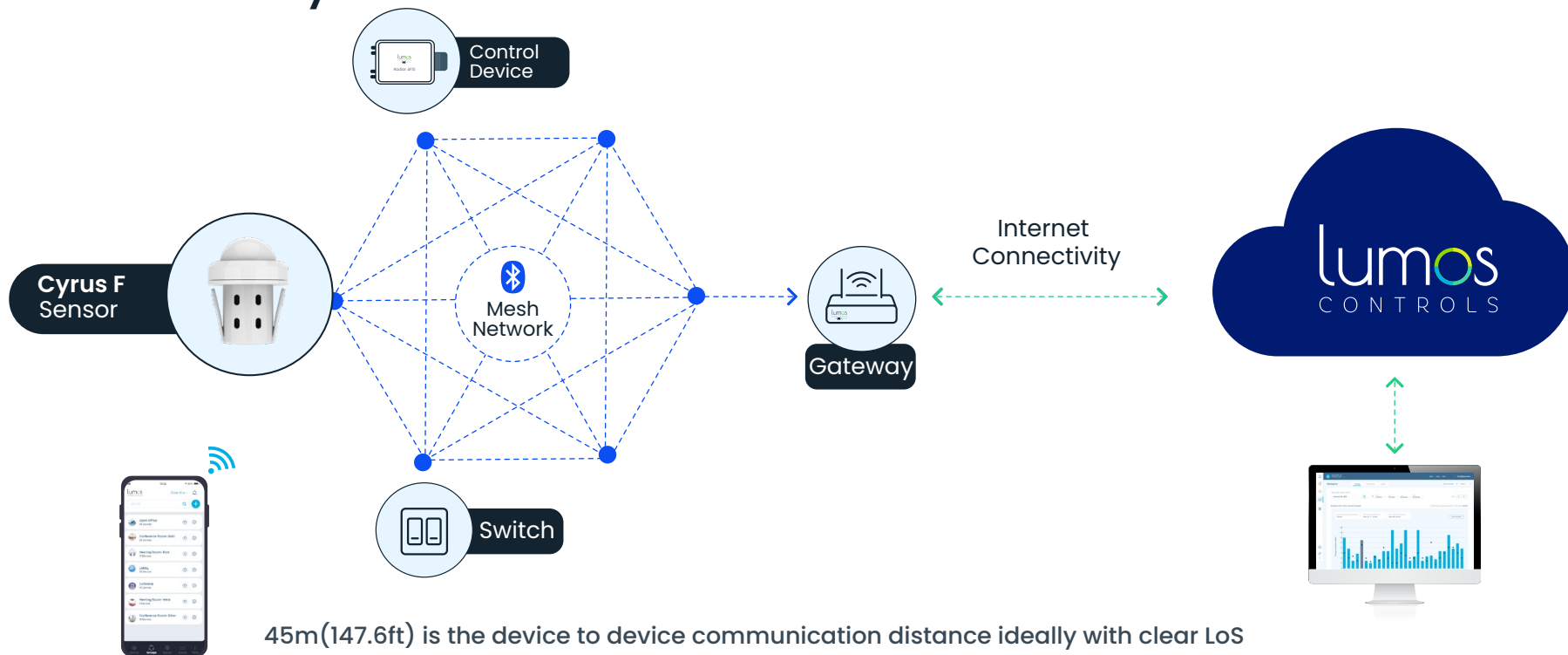
**Color sensor characteristics**



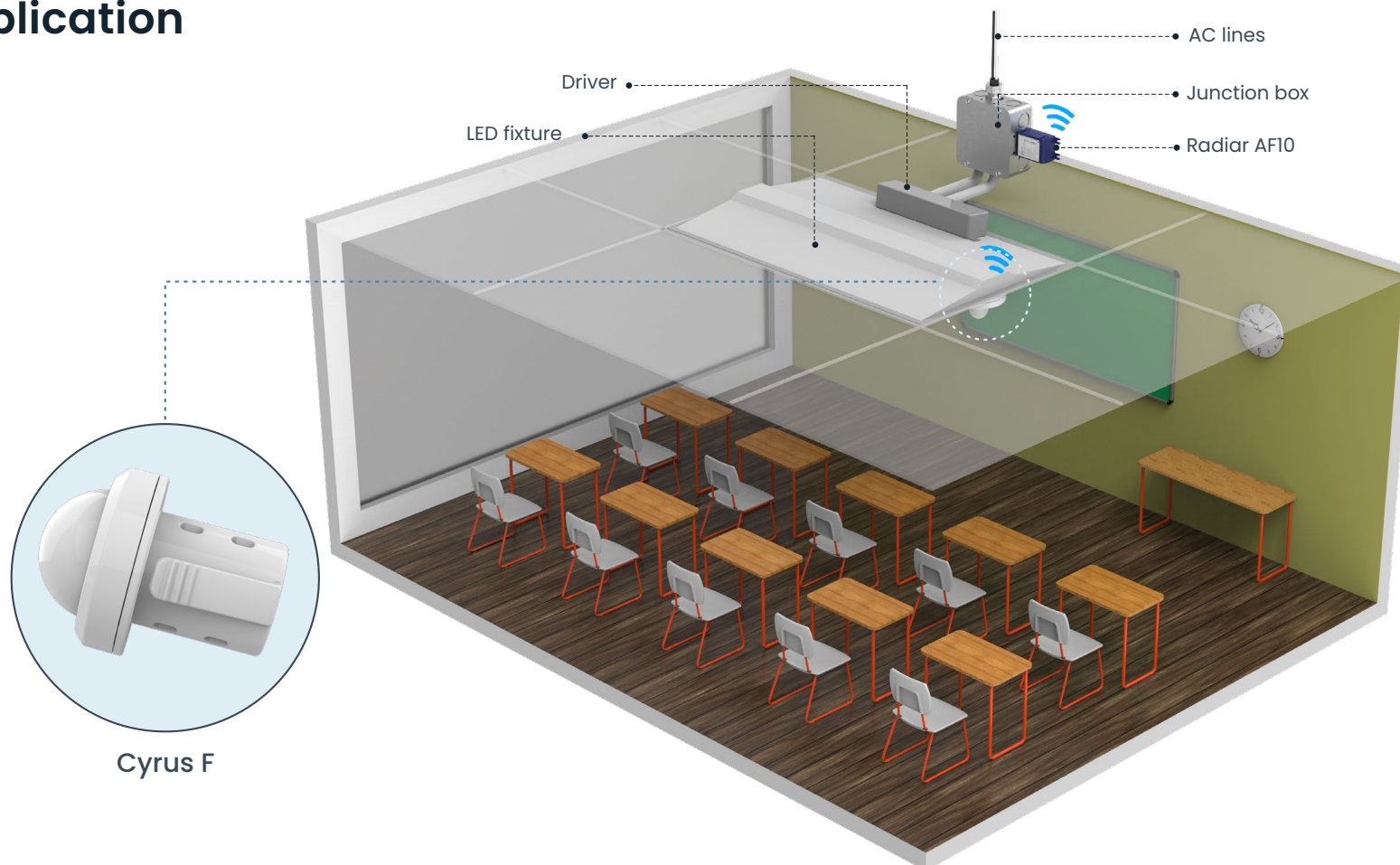
**Normalized Responsivity vs Angular Displacement**



## Smart Ecosystem



## Application



Certifications	Details
<b>CE</b>	<p>Article 3, RED 2014/53/EU</p> <p><b>EMC test standards:</b>            ETSI EN 301 489-1 V2.2.3 (2019-11)            ETSI EN 301 489-17 V3.2.4 (2020-09)            EN 55032:2015/A11:2020            EN 55035:2017+A11:2020</p> <p><b>Radio Test standard:</b>            ETSI EN 300 328 V2.2.2 (2019-07)</p> <p><b>Health Test standard:</b>            EN 62479:2010            EN 50663:2017</p> <p><b>Safety Test Standard:</b>            EN IEC 61058-1:2018            EN 61058-1-2:2016</p>
<b>RoHS 2.0</b>	RoHS Directive (EU) 2015/863 amending Annex II to Directive 2011/65/EU
<b>REACH</b>	Regulation (EC) No 1907/2006 of REACH
<b>WEEE</b>	Under the WEEE Directive: 2012/19/EU
<b>Bluetooth</b>	Declaration ID: D059551
<b>cETLus</b>	Conforms to UL Std. 60730-1 Cert. to CSA Std. E60730-1
<b>FCC</b>	ID: 2AG4N-WXD2CPLFN

## Items included in the package box

- Cyrus F
- User guide
- Six pin connector(Molex connector)

## Ordering Information

Product Code	Product Name	Product Description	Communication	Voltage Rating	Sensor Input	Output Channel
WXD2CPLFN	Cyrus F	Motion and light sensor with dual channel dimming	BLE5.2	12-24VDC	Motion and Light Sensor	0-10V(2 Channels), UART

The Bluetooth® word mark and logos are registered trademarks owned by Bluetooth SIG, Inc. and any use of such marks by WiSilica Inc. is under license. Other trademarks and trade names are those of their respective owners.



20321 Lake Forest Dr D6,  
Lake Forest, CA 92630

[www.lumoscontrols.com](http://www.lumoscontrols.com)  
+1 949-397-9330